



Key Features

- Megapixel HD Resolution to Deliver Quality Image on A Variety of Mobile Devices and PCs
- LED Infrared Night Vision up to 16 Feet (5 Meters) with Automatic Activation System
- Wireless N Network Compliant with Optimum Wi-Fi Performance
- Supports Simultaneous Dual Streaming with High Speed H.264 Encoding
- Built-in Microphone & External Audio Out for two-way communication
- Multiple Storage Options — Built-in Micro SD Card Slot for Onboard Storage and Samba/FTP Client to Save to an External Storage
- Supports Push Message triggered by Motion/Audio Detection and Play Back on Smart Devices
- EnGenius Cloud Services Supported (App and Web-based Services)
- Easy Setup with Simple Configuration

Intelligent IP-Camera **HD720P**

Wi-Fi HD Day/Night Home Guardian with EnGenius Cloud Services

Make Home Monitoring Easier – Keep What Matters to You Most with A Peace of Mind On The Go Anytime, Anywhere.

Megapixel Resolution

Includes HDTV 720P quality with real-time recording at 30 frames per second for capturing fine detail in video or jpeg images. Up to 1-Megapixel Resolution for better image clarity.

Push Notification / Play Back

Be aware and informed with event notifications sent to an iPhone, iPad, or Android device immediately once a specified event is detected on the network camera.

Simple Setup

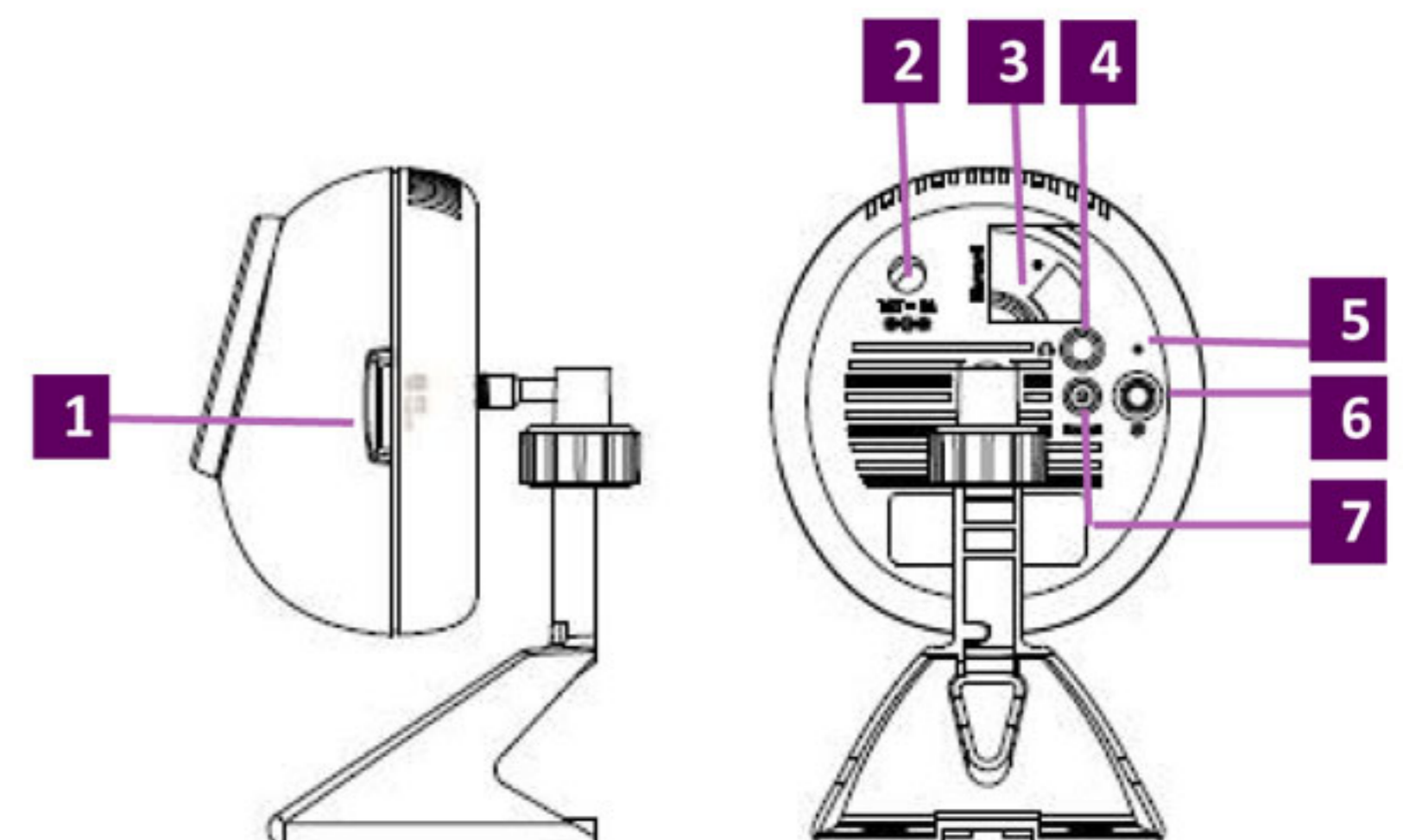
Get up and running easily. Just plug the network camera into a power outlet and pair it with an EnGenius or third-party wireless router using its one-touch WPS button. No complicated configurations required.

2-Way Audio

Respond immediately to situations and events with the 2-Way audio feature. Ideal for family and pets that require hands free communication or immediate attention

Physical Interface

1. Micro SD Memory Card Slot
2. Power Jack: DC 12V/1A
3. RJ-45 Ethernet Port
4. Audio Out
5. LED Indicator: Wi-Fi / WPS
6. WPS Button
7. Reset Button



Technical Specifications

Camera

- 1/4" Megapixel Progressive Scan CMOS Sensor
- Fixed-focus Board Lens: f=4mm, F1.5
- Built-in Mechanical Infrared-Cut Removable (ICR) filter
- Minimum Illumination:
 - Color (IR-off): 0.5 Lux at F1.5
 - B/W (IR-on): 0 Lux at F1.5
- IR Illuminator:
 - 6x IR illuminators, effective up to 16 Feet (5 Meters)
- Shutter Time: 1/7.5 sec. to 1/24,000 sec.
- Field of View: (H) 53°, (V) 33°, (D) 62°

Video

- Compression: H.264/MPEG4/MJPEG Format per Stream
- Simultaneous Streaming: 2x Video Streams
- Resolution and Frame rates:
 - HD(1280 x 720), VGA (640 x 480), QVGA (320 x 240) and 160 x 120 up to 30 Frames per Second (fps)

Image

- Adjustable Image Size, Quality and Bit Rate
- Configurable Image Settings: Brightness, Sharpness, Contrast, Saturation, Denoise, Shutter Time, and Flicker Control
- Exposure Settings: Exposure Profile, Gain Control, and EV Compensation
- AGC/AWB/AES
- Flip & Mirror
- Time Stamp and Text Caption Overlay
- Auto/Manual Day/Night Vision Control
- Format Options: .jpg (default) / .png / .bmp

Audio

- Two-way Audio Supported
- Compression: G.711A / G.711U / AAC
- Input / Output Gain Control
- Interface: Built-in Microphone, External Audio Out

External Device Interface

- 10/100 BASE-TX Fast Ethernet Port
- 802.11N Wireless
- Micro SD/SDHC Memory Card Slot (~32GB)

Physical & Environmental

- Dimension (W x D x H) :
 - 3 x 3.125 x 4.75 in inch
 - 78 x 80.6 x 122.4 in mm
- Weight: 0.30 LBS (138g)
- Operating Temperature: 0 ~ 40 (°C) / 32~104 (°F)
- Storage Temperature: -10~50 (°C) / 14~122 (°F)
- Tabletop / Wall-Mount
- Humidity: 5 ~ 95% non-condensing

Network

- Wired 10/100 Mbps Ethernet
- IEEE802.11b/g/n Compliant; with Transferring Speed up to 150Mbps
- Built-in High-sensitive Internal Wireless Antenna
- Supporting Protocol: IPv4, TCP, UDP, DHCP, NTP, DNS, DDNS, SMTP, FTP, HTTP, UPnP, RTP, RTSP, PPPoE

Security

- Password Protection
- Wireless Encryption: WEP/WPA/WPA2

System Management

- PC-Based Wizard— EnViewer Finder (Windows®)
- EnGenius Cloud Services :
 - Mobile App — EnViewer (iOS® / Android™)
 - Web Interface supports Viewer and complete management features
- WPS Settings (Hardware/Software)
- Auto NAT Passthrough
- EnGenius Smart Recording Technology (work with EnGenius IoT Gateway/Intelligent Router)

Setup Wizard — EnViewer Finder

- PC-based Camera Utility
- Network and Camera Configuration
- EnGenius DDNS Supported
- Camera Auto Search, Single Camera Setup, Auto Firmware Update, Reset to Default and Reboot

Event Management

- Pre-Event & Post-Event Buffer (1 to 3 Sec)
- Recording Type: Event Recording / Schedule Recording
- Event Triggers:
 - Supports Motion and Audio Detection
 - Configurable Motion Detection Windows
- Event Actions:
 - Video Recording or Still Image saved to SD Card or Network Storage
 - Push Message sent to Mobile Devices and Email sent to designated receiver
- Multiple Recording Methods for Flexible Backup: NFS/SAMBA/FTP/SD Card/EnGenius Cloud Storage

EnGenius Cloud Services



Mobile Management (App) — EnViewer

- Supports iPhone®, iPad® and Android™ Devices
- Easy Setup by QR code or Auto Search or Manually Setup
- Unique ID (UID) and EnGenius DDNS Supported
- Live Viewer Streaming, supports up to 16 Cameras
- Real time recording / Snapshot saved to mobile album
- Push Messages (triggered by Event Detection)
- Play Back (from SD Card and EnGenius Personal Cloud)
- Remote Settings