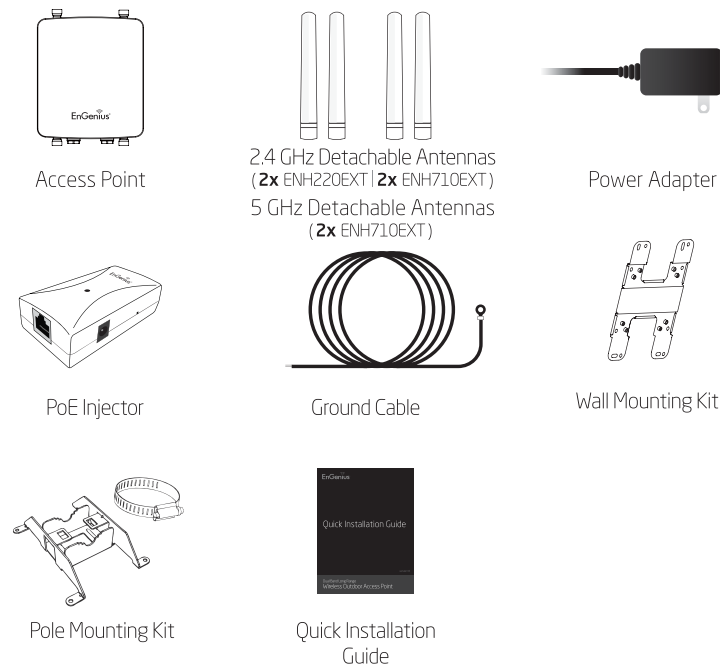


# Quick Installation Guide

ENH220EXT | ENH710EXT  
version 1.0

Dual Band, Long Range  
Wireless Outdoor Access Point

## Package Contents



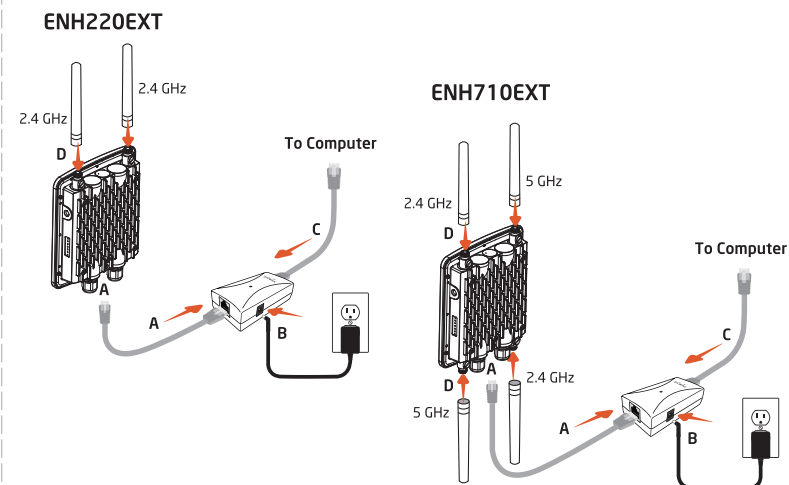
## Minimum Requirements

- Broadband Internet Service (Cable or DSL Modem)
- Internet Browser (Internet Explorer, Safari, Firefox, Chrome)

## 1 Connecting the Access Point

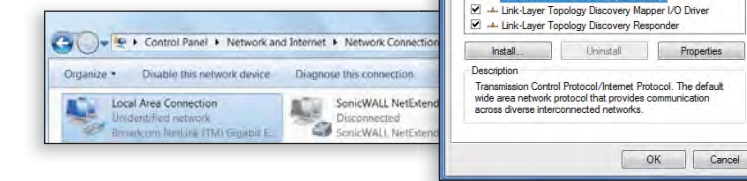
- Connect one end of the Ethernet cable into the **main LAN port (PoE)** of the Access Point and the other end to the **AP Ethernet port** on the PoE injector.
- Connect the **Power Adapter** to the **DC-IN port** of the PoE injector and plug the other end in to an electrical outlet.
- Connect the second Ethernet cable into the **LAN port** of the PoE injector and the other end to the Ethernet port on the computer.
- Screw on the provided antennas to the device as shown in illustration below.

**Note:** The Access Point supports both IEEE 802.3at PoE (Power over Ethernet) or the included power injector. You may use either one as the power source. **DO NOT** use both at the same time.

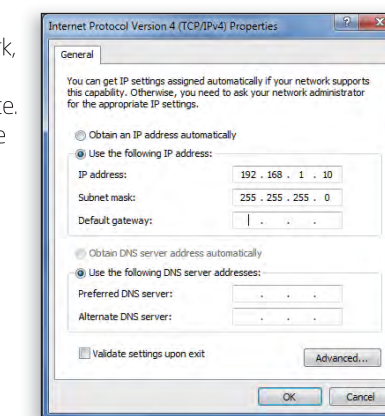


## 2 IP Address Configuration

- Once your computer is on, ensure that your TCP/IP is set to **On** or **Enabled**. Open **Network Connections** and then click **Local Area Connection**. Select **Internet Protocol Version 4 (TCP/IPv4)** and then click on the **Properties** button.

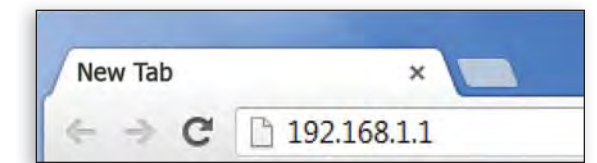


- If your PC is already on a network, ensure that you have set it to a **Static IP Address** on the interface. (Example: 192.168.1.10 and the Subnet Mask address as 255.255.255.0.

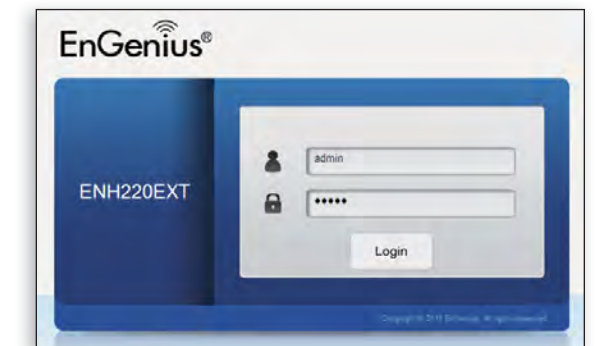


## 3 Access Point Setup

- To configure the Access Point, open a web browser. In the address bar of the web browser, enter **192.168.1.1** and hit enter.



- A login screen will appear. By default, the username of the Access Point is **admin** and the password is **admin**. Enter the current username and password of the Access Point and then click **Login**.

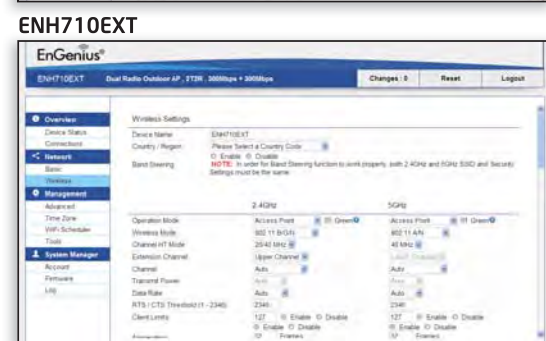
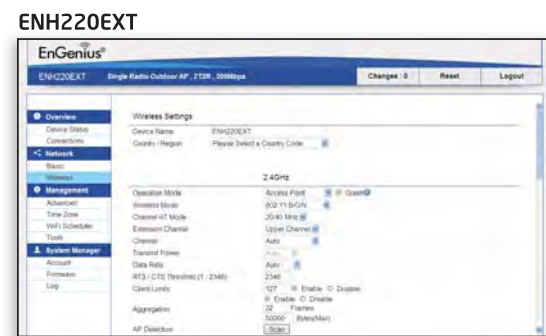


\* Your model number may be different in the web browser interface.

## 4 Switching Modes

- This device can operate in the following modes: Access Point, Client Bridge, WDS AP, WDS Bridge and WDS Station.

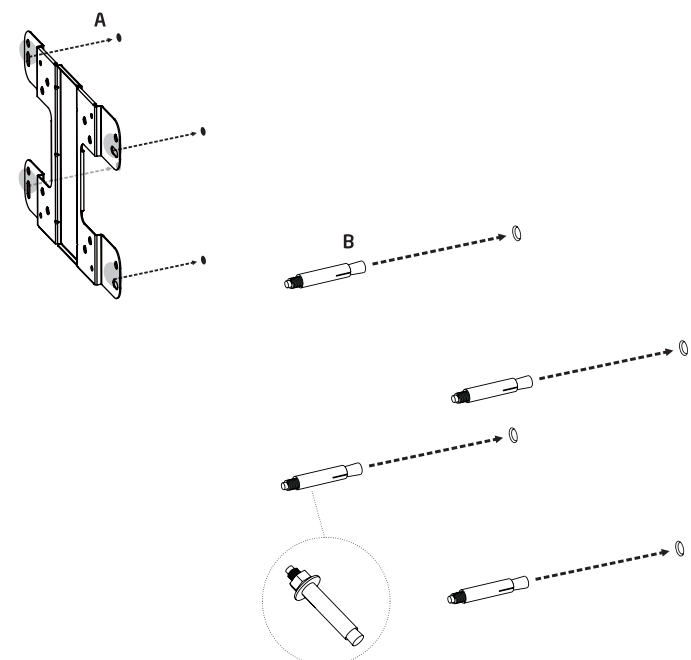
- Select the **Operation Mode** under **"Network"**, **"Wireless"** tab.



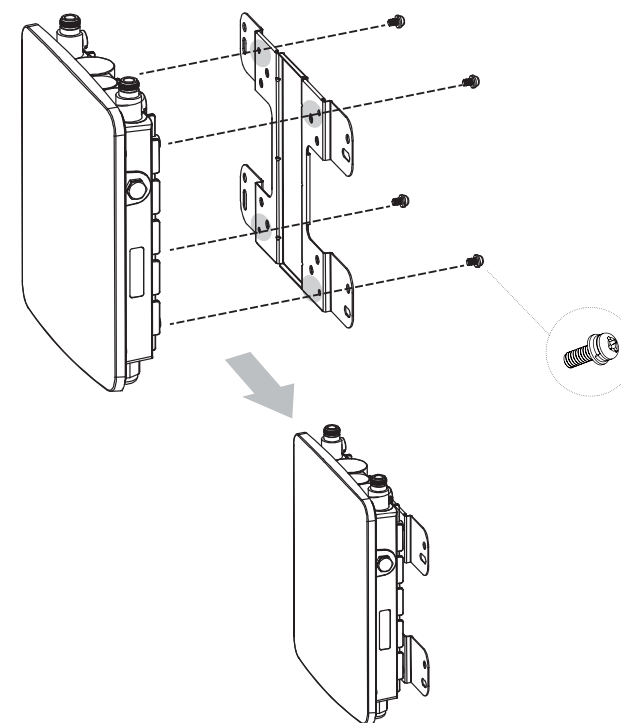
- Click on the **Save** button after you have modified the setting. Click the **Changes** button, then click **Apply** button to apply all changes you have made.

## Wall Mounting The AP

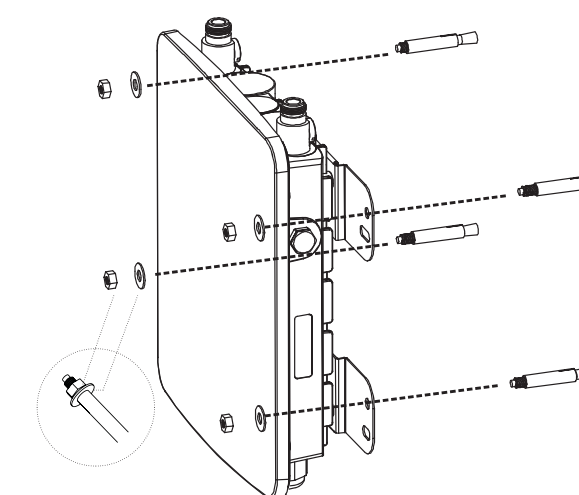
- Determine where the AP is to be placed and mark location on the surface for the four mounting holes. You may adjust the position with a level.
- Use the appropriate drill bit to drill four 8mm diameter and 37mm depth holes in the markings and hammer the bolts into the openings.



- Place the lock and flat washer on the round head screws and drive the screws to attach mounting base to the back of the Access Point.

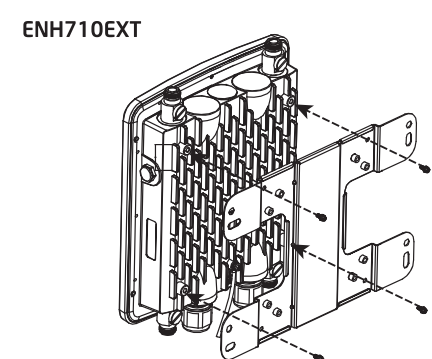
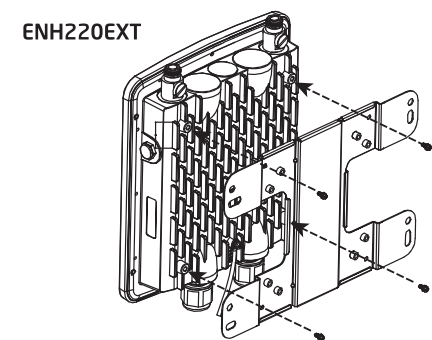


- Attach the device onto the wall by tightening the bolt's flat washers and nuts to secure the mounting base to the mounting surface.

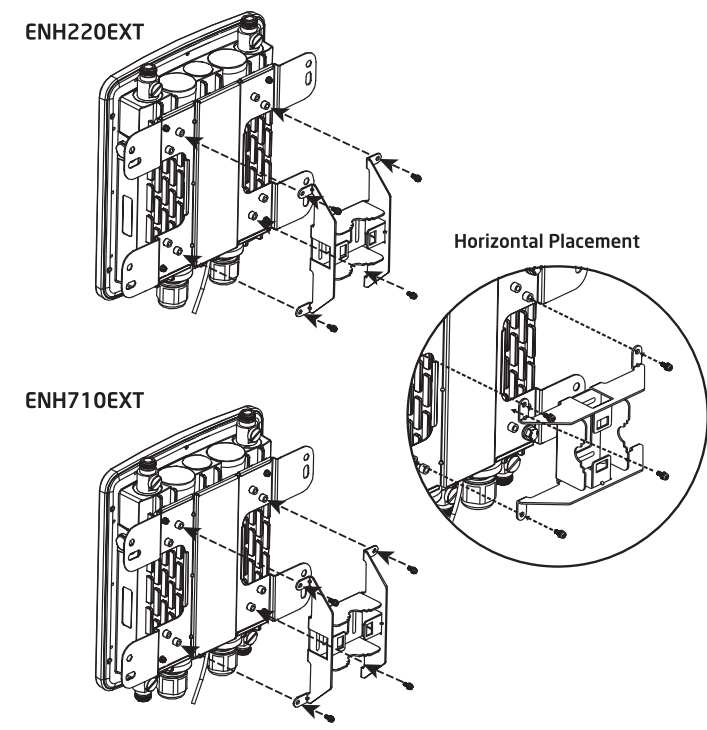


## Pole Mounting The AP

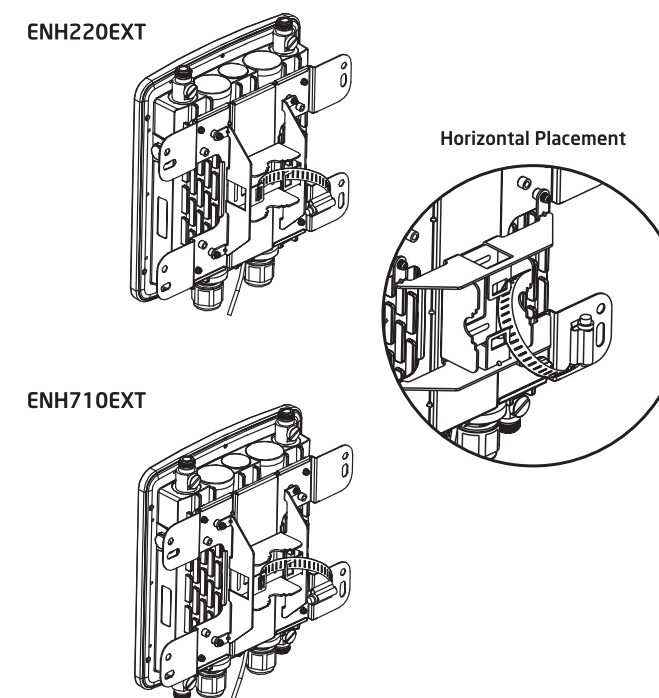
- Place the lock and flat washer on the cap screws and drive the screws to attach the mounting base to the back of the Access Point.



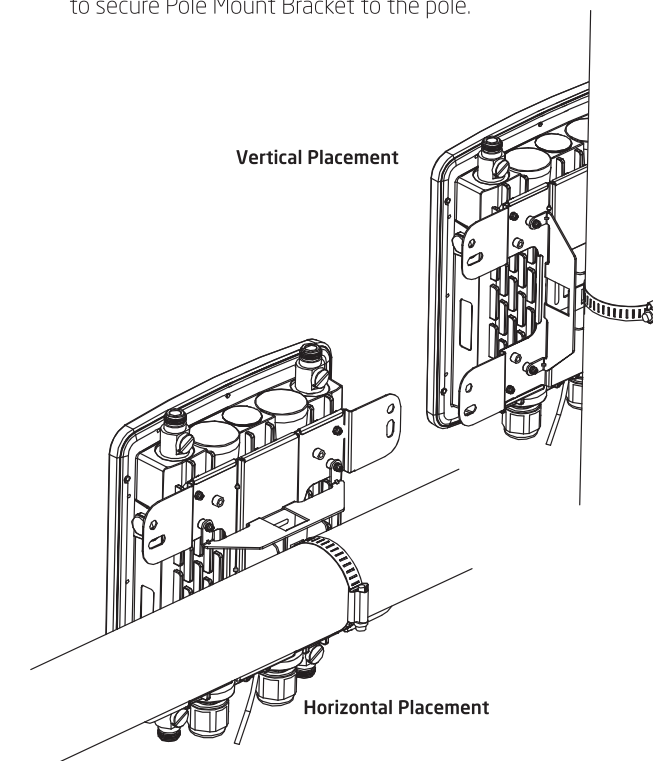
- Determine which placement to be assembled. Drive the four round head screws to attach the Pole Mount Bracket to the mounting base.



- Thread the open end of the Pole Strap through the two tabs on the Pole Mount Bracket.



- Determine where the AP is to be fastened. Lock and tighten Pole Strap to secure Pole Mount Bracket to the pole.



## Notes

**EnGenius**

Maximum data rates are based on draft IEEE 802.11ac and/or IEEE 802.11 standards. Actual throughput and range may vary depending on many factors including environmental conditions, distance between devices, radio interference in the operating environment, and mix of devices in the network. Features and specifications subject to change without notice. This device complies with Part 15 of the FCC Rules. Operation is subject to the following two conditions: (1) this device may not cause harmful interference, and (2) this device must accept any interference received, including interference that may cause undesired operation. Trademarks and registered trademarks are the property of their respective owners. For United States of America: Copyright ©2014 EnGenius Technologies, Inc. All rights reserved.

## Technical Support

Country of Purchase	Service Center	Service Information
North America www.engeniuscanada.com	Canada	rma@engeniuscanada.com Toll Free: (+1) 888 397 2788 Local: (+1) 905 940 8181
	Los Angeles, USA	support@engeniustech.com Toll Free: (+1) 888 735 7888 Local: (+1) 714 432 8668
Central & South America es.engeniustech.com pg.engeniustech.com	Miami, USA	miamisupport@engeniustech.com Miami: (+1) 305 887 7378 Sao Paulo, Brazil: (+55) 11 3957 0303 D.F. Mexico: (+52) 55 1163 8894
	Netherlands	support@engeniustech.com (+31) 40 8200 887
Africa CIS Middle East Russia www.engenius-me.com	Dubai, UAE	support@engenius-me.com Toll Free: U.A.E.: 800-EnGenius 800-364-364-87 General: (+971) 4 357 5599
Asia Oceania www.engeniustech.com.sg	Singapore	www.engeniustech.com.sg/e_warranty_form techsupport@engeniustech.com.sg Toll Free: Singapore: 1800 364 3648
Others www.engeniustech.com	Taiwan, R.O.C	technology@senaoc.com